

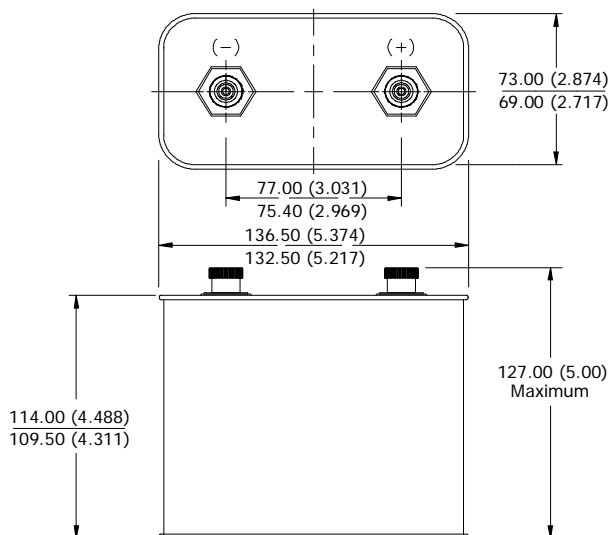
ENERGIZER LR820

6V



Industry Standard Dimensions

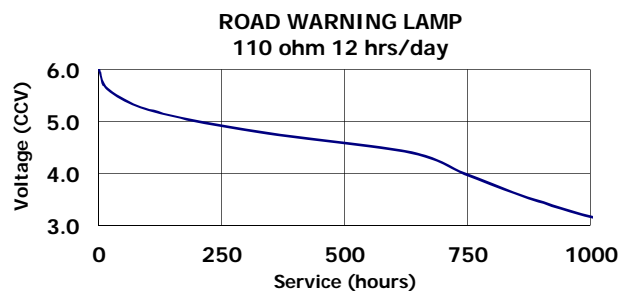
mm (inches)



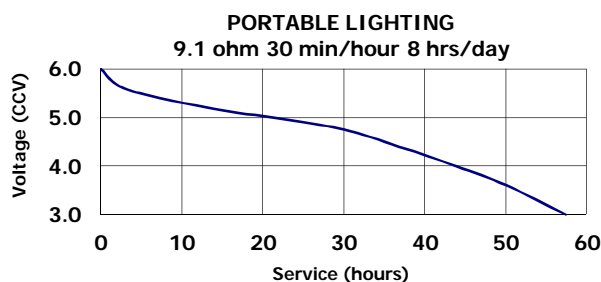
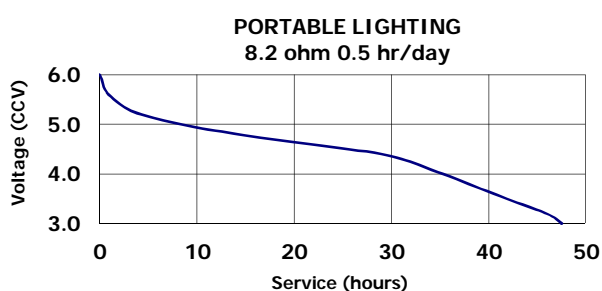
Specifications

Classification:	Alkaline
Chemical System:	Zinc-Manganese Dioxide (Zn/MnO ₂) No added mercury or cadmium
Designation:	IEC-4LR25-2
Nominal Voltage:	6.0 volts
Operating Temp:	-18°C to 55°C
Typical Weight:	1340 grams
Typical Volume:	1125 cubic centimeters
Jacket:	Metal
Cells:	Eight 3-350 (2 strings of 4 in series) Four in series
Terminal:	Screw Post

IEC Industry Standard Road Warning Test (21°C)



IEC Industry Standard Portable Lighting Tests (21°C)



Important Notice

This datasheet contains typical information specific to products manufactured at the time of its publication.

©Energizer Holdings, Inc. - Contents herein do not constitute a warranty.